



Sink - Lissé

Three-hole lavatory mixer with drain - polished chrome

Article number: 20 713 845-00 0010

- 5-1/8" Projection
- US drain with overflow
- Rigid spout
- Round aerated stream
- Total height 3-3/4"
- Height to aerator/spout outlet 3"
- Valve hole diameter 1-1/4"
- Spout hole diameter 1-3/8"
- Flange diameter 1-7/8"
- Water flow rate limited to max. 1.2 gpm
- lead-free
- (ADA)
- Suitable only for basins with overflow.



polished chrome

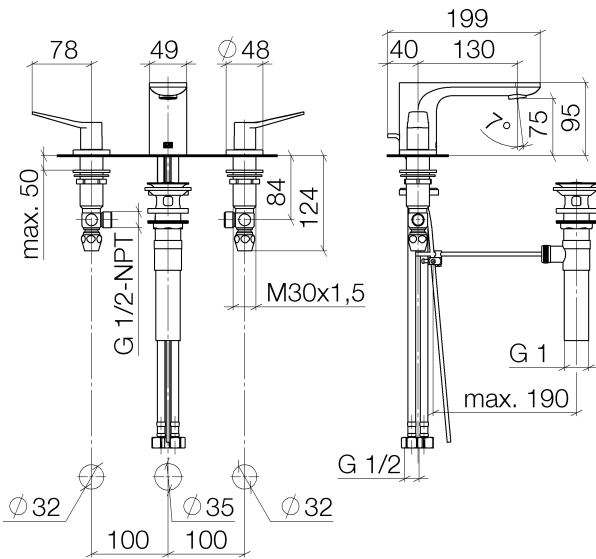


Sink - Lissé

Three-hole lavatory mixer with drain - polished chrome

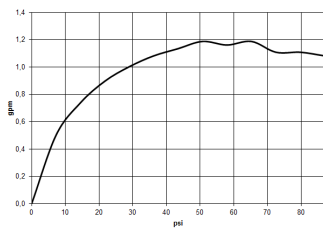
Article number: 20 713 845-00 0010

Dimensional drawing



All dimensions in mm / inch = mm x 0,0394

Flow rate chart





Sink - Lissé

Three-hole lavatory mixer with drain - polished chrome

Article number: 20 713 845-00 0010

Other surface finishes

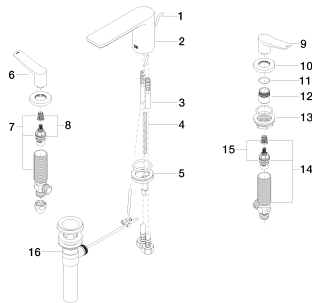


platinum matte

20 713 845-06 0010

More custom finish options are available via special production (xTra Service). Please see our finish matrix for availability and pricing or contact a Dornbracht representative.

Spare parts list



Number	Item Number	Designation	Number of units
--------	-------------	-------------	-----------------